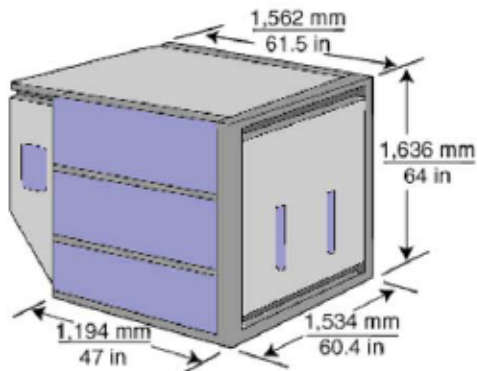




Indian Ocean Shipping Agencies

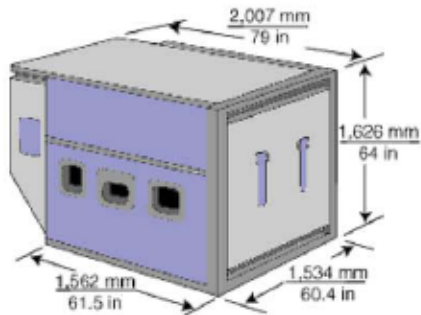
CONTAINER SPECIFICATIONS

Lower Deck Container-IATA Type 8D-IATA Prefix: APA-APA: LD-2



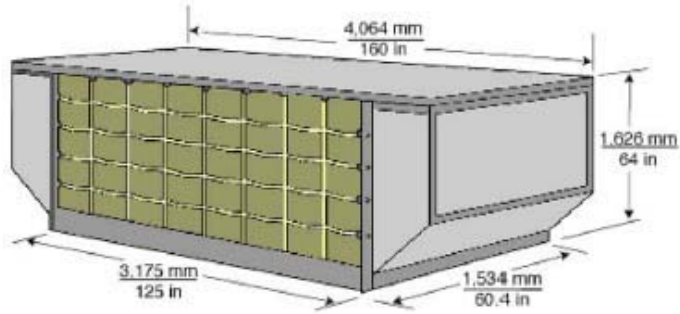
Maximum Gross Weight 1,225 kg / 2,700 lb	External Dimensions (L x W x H) 1,194 mm x 1,534 mm x 1,626 mm (47 in x 60.4 in x 64 in)
Volume 3.4 m ³ / 120 ft ³	Aircraft Accepted For 777, 767
Tare 60 kg / 132 lb	

Lower Deck Container-IATA Type 8-IATA Prefix: AK-ATA: LD-3



Maximum Gross Weight 1,588 kg / 3,500 lb	External Dimensions (L x W x H) 1,562 mm x 1,534 mm x 1,626 mm (61.5 in x 60.4 in x 64 in)
Volume 4.53 m ³ / 160 ft ³	Aircraft Accepted For DC10-30 Freighter, DC10, 747, 777, 767
Tare 70 kg / 154 lb	

Lower Deck Container-IATA Type 6-IATA Prefix: ALF-ATA: LD-6



Maximum Gross Weight
3,175 kg / 7,000 lb

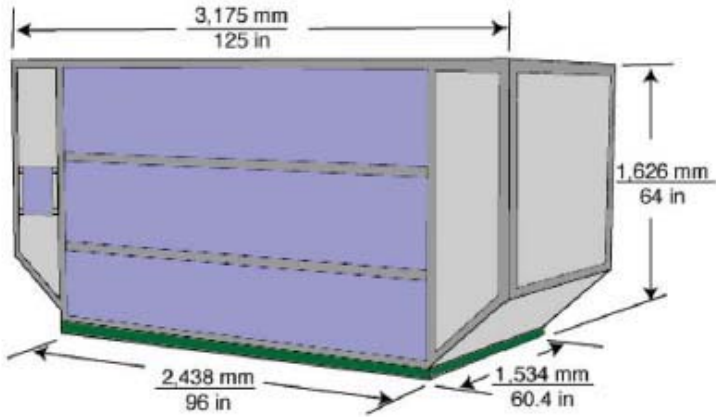
Volume
6.94 m³ / 245 ft³

Tare
180 kg / 397 lb

External Dimensions
(L x W x H)
3,175 mm x 1,534 mm x 1,626 mm
(125 in x 60.4 in x 64 in)

Aircraft Accepted For
747, 747F, L1011

Lower Deck Container-IATA Type 6B-IATA Prefix: AQ-ATA: LD-8



Maximum Gross Weight
2,449 kg / 5,400 lb

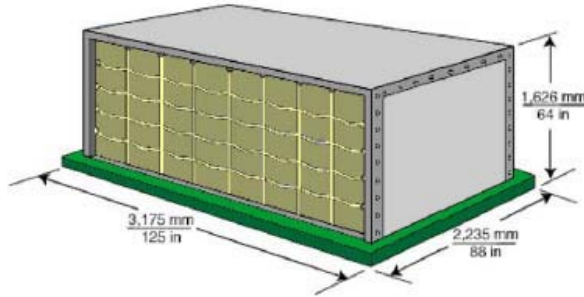
Volume
6.94 m³ / 245 ft³

Tare
120 kg / 264 lb

External Dimensions
(L x W x H)
2,438 mm x 1,534 mm x 1,626 mm
(96 in x 60.4 in x 64 in)

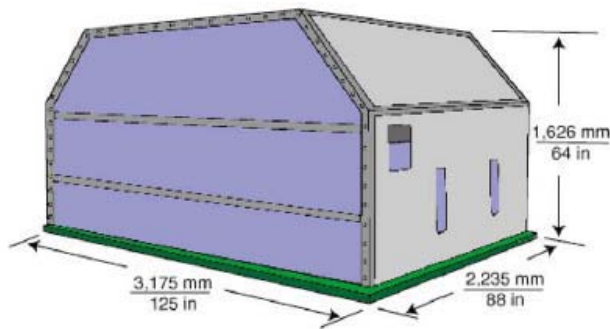
Aircraft Accepted For
777, 767

Container-IATA Type 5IATA Prefix: AAP-ATA: LD-9



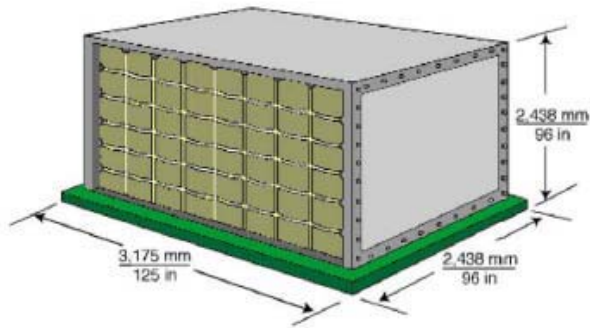
Maximum Gross Weight 6,033 kg / 13,300 lb	External Dimensions (L x W x H) 3,175 mm x 2,235 mm x 1,626 mm (125 in x 88 in x 64 in)
Volume 9.91 m ³ / 350 ft ³	Aircraft Accepted For 747, 747F, L1011
Tare 200 kg / 440 lb	

Upper Deck Container-IATA Type 5IATA Prefix: AAK-ATA: LD-7



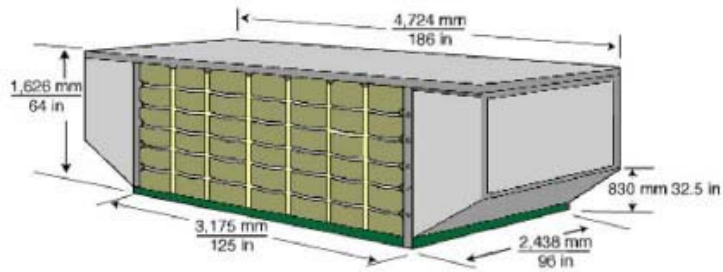
Maximum Gross Weight 6,033 kg / 13,300 lb	External Dimensions (L x W x H) 3,175 mm x 2,235 mm x 1,626 mm (125 in x 88 in x 64 in)
Volume 9.91 m ³ / 350 ft ³	Aircraft Accepted For N/A
Tare 200 kg / 440 lb	

Main Deck Container-IATA Type 2/2Q-IATA Prefix: AMA



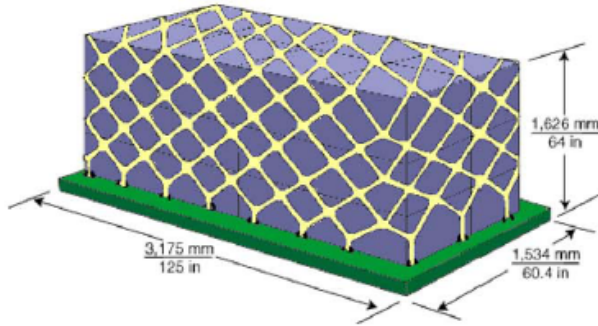
Maximum Gross Weight 6,804 kg / 15,000 lb	External Dimensions (L x W x H) 3,175 mm x 2,438 mm x 2,438 mm (125 in x 96 in x 96 in)
Volume 17.16 m ³ / 606 ft ³	Aircraft Accepted For 747F
Tare 260 kg / 572 lb	

Lower Deck Container-IATA Type 2BG-IATA Prefix: AMU



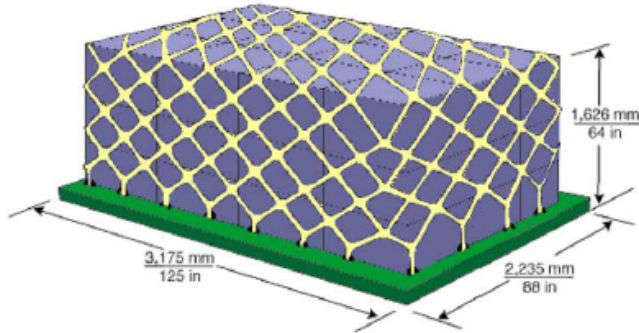
Maximum Gross Weight 6,033 kg / 13,300 lb	External Dimensions (L x W x H) 3,175 mm x 2,438 mm x 1,626 mm (125 in x 96 in x 64 in)
Volume 13.7 m ³ / 480 ft ³	Aircraft Accepted For 747, 747F
Tare 200 kg / 440 lb	

Lower Deck Pallet with Net-IATA Type 6-IATA Prefix: PL



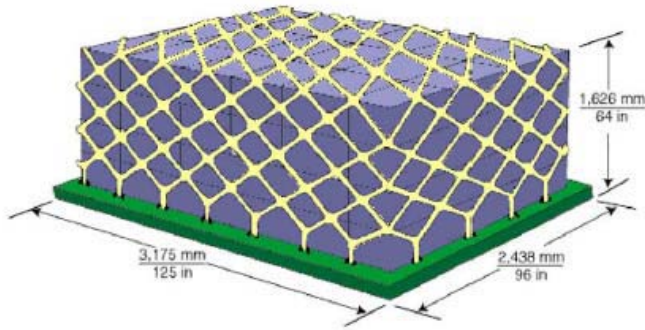
Maximum Gross Weight 3,175 kg / 7,000 lb	External Dimensions (L x W x H) 3,175 mm x 1,534 mm x 1,626 mm (125 in x 60.4 in x 64 in)
Volume 6.94 m ³ / 245 ft ³	Aircraft Accepted For DC10, DC10-30 Freighter, 747, 777
Tare 90 kg / 198 lb	

Pallet with Net-IATA Type 5-IATA Prefix: PA



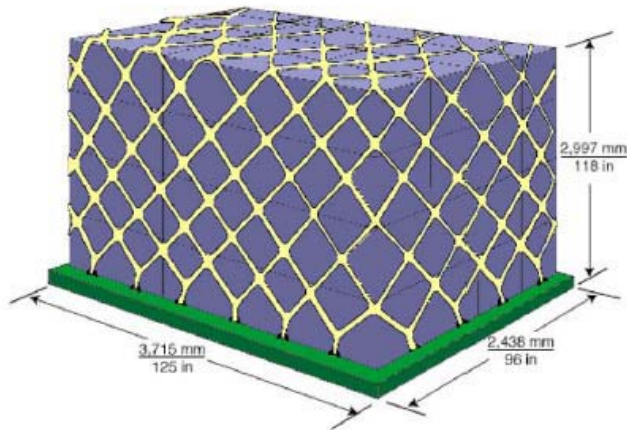
Maximum Gross Weight 4,626 kg / 10,200 lb	External Dimensions (L x W x H) 3,175 mm x 2,235 mm x 1,626 mm (125 in x 88 in x 64 in)
Volume 9.91 m ³ / 350 ft ³	Aircraft Accepted For DC10-30 Freighter, DC10-30 747, 747F, 777, 767-300
Tare 120 kg / 264 lb	

Pallet with Net-IATA Type 2WA-IATA Prefix: PM



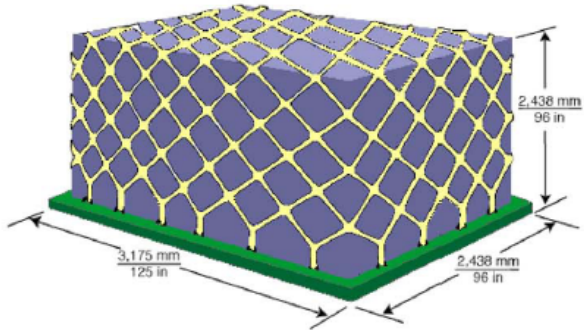
Maximum Gross Weight 5,035 kg / 11,100 lb	External Dimensions (L x W x H) 3,715 mm x 2,438 mm x 1,626 mm (125 in x 96 in x 64 in)
Volume 15.8 m ³ / 557 ft ³	Aircraft Accepted For DC10-30, Freighter, DC10-30, 747, 747F
Tare 130 kg / 287 lb	

Main Deck Pallet with Net-IATA Type 2H-IATA Prefix: PM



Maximum Gross Weight 6,804 kg / 15,000 lb	External Dimensions (L x W x H) 3,715 mm x 2,438 mm x 2,997 mm (125 in x 96 in x 118 in)
Volume 21.16 m ³ / 747 ft ³	Aircraft Accepted For DC10-30 Freighter, 747F
Tare 130 kg / 287 lb	

Main Deck Pallet with Net-IATA Type 2/2Q-IATA Prefix: PM



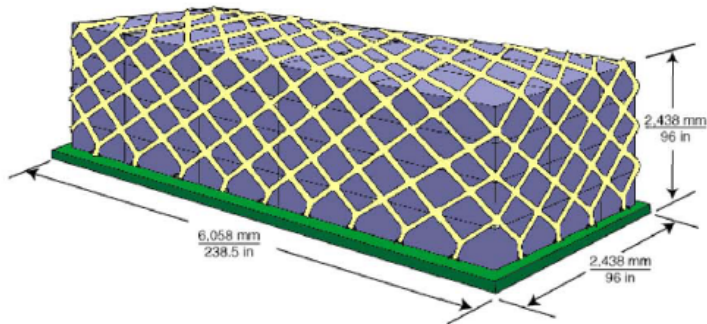
Maximum Gross Weight 6,804 kg / 15,000 lb
External Dimensions (L x W x H)
3,175 mm x 2,438 mm x 2,438 mm
(125 in x 96 in x 96 in)

Volume 17.16 m³ / 606 ft³

Tare 130 kg / 287 lb

Aircraft Accepted For
DC10-30 Freighter, 747F

Main Deck Pallet with Net-IATA Type 1/1S-IATA Prefix: PG



Maximum Gross Weight 13,608 kg / 30,000 lb
External Dimensions (L x W x H)
6,058 mm x 2,438 mm x 2,438 mm
(238.5 in x 96 in x 96 in)

Volume 33.25 m³ / 1,174 ft³

Tare 400 kg / 882 lb

Aircraft Accepted For
DC10-30 Freighter, 747F